

Lithium Coin Cell - CR 1632 H2

- Reliable energy for your application
- Standard cells and customized packs
- ESD protection
- UL recognized
- Battery Certification Experts



RoHS compliant



Pb free



REACH compliant



Conflict mineral free

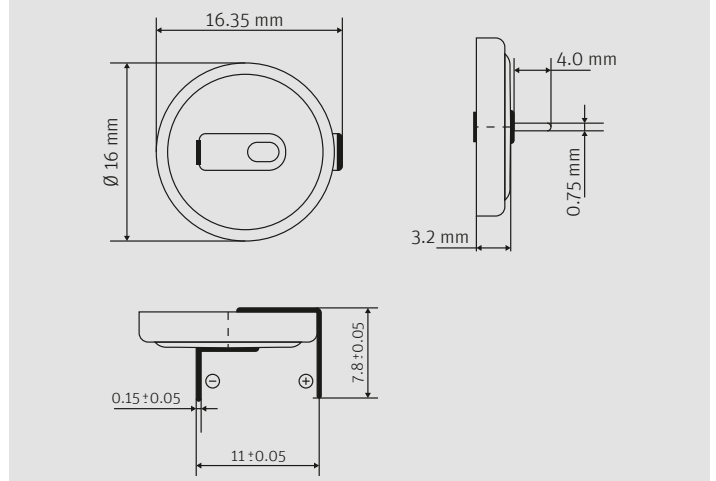
Technical Data Sheet CR 1632 H2

SPECIFICATIONS

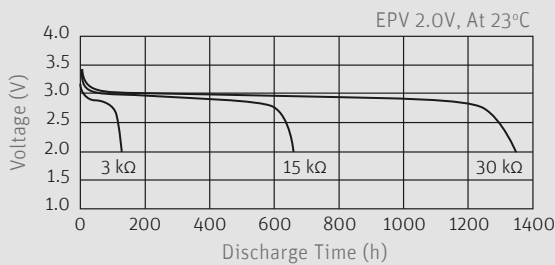
Nominal Voltage	3V
Jauch part number	247284
Nominal Capacity	135 mAh
Standard Load	30 kΩ
Standard Current	0.2 mA
Max. Continuous Current	1 mA
Max. Pulse Current	10 mA
Operating Temperature	-30°C to +70°C*
Weight	Approx. 2 gr.
Chemistry	Li/MnO ₂
UI1642	MH62838

* In applications where the battery is exposed to temperatures >60°C, please contact Jauch.

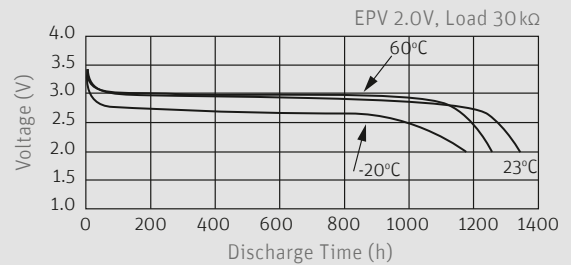
DIMENSIONS



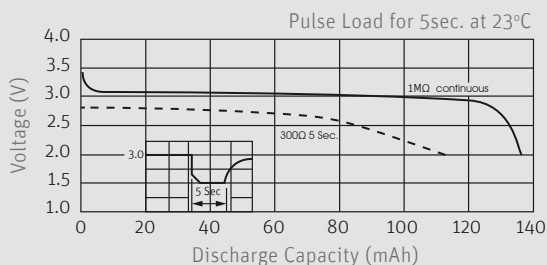
DISCHARGE CHARACTERISTICS



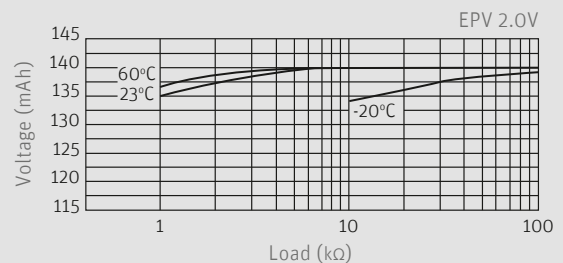
TEMPERATURE CHARACTERISTICS



PULSE DISCHARGE CHARACTERISTICS



LOAD VS: CAPACITY



Wide assortment of mounting options, including through hole, surface mount and wire terminals.

Contact Jauch for more information
batterytechnology@jauch.com